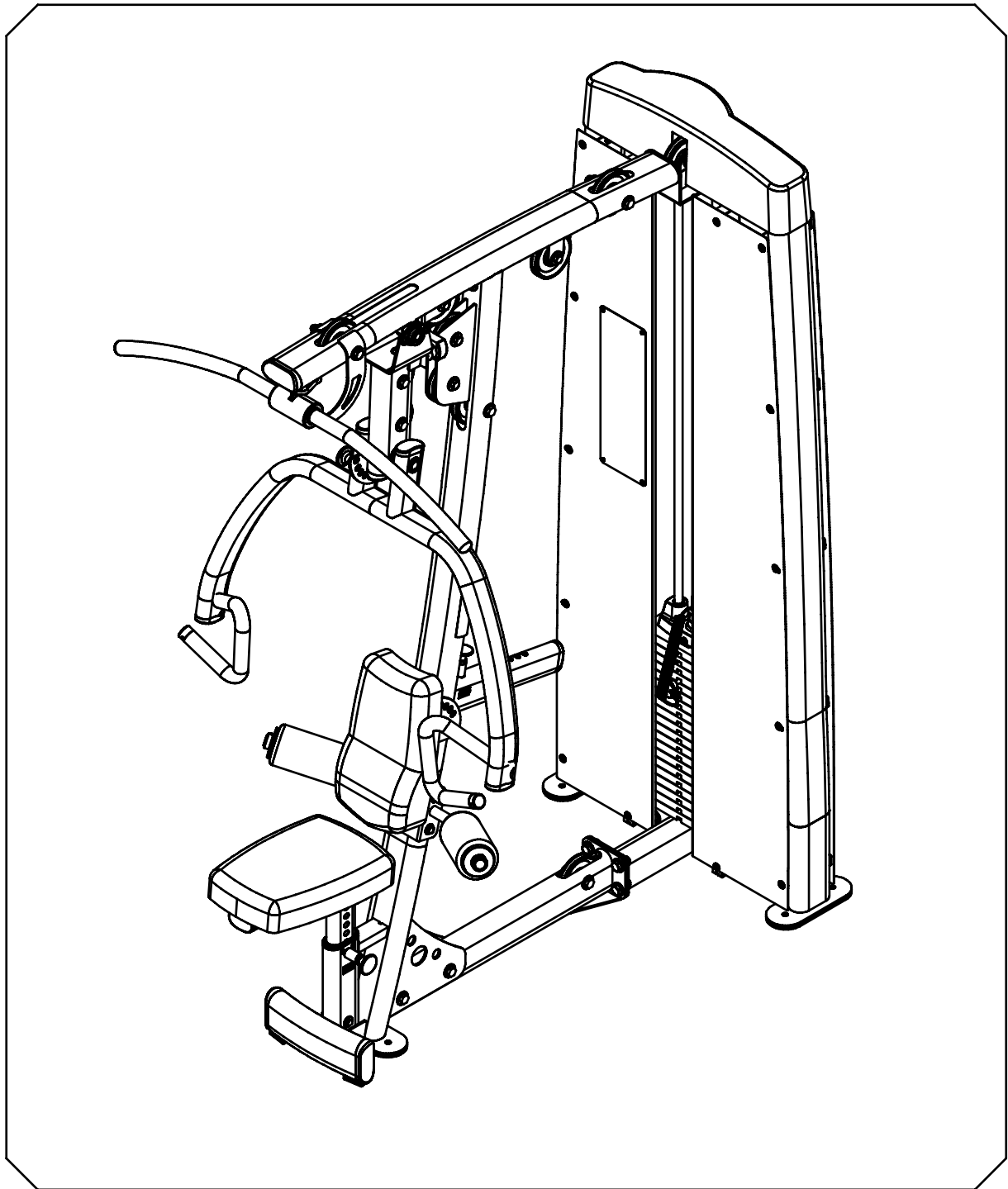


Body-Solid

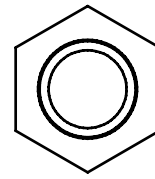
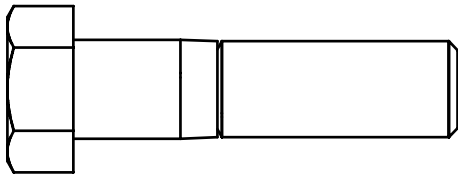


BODY-SOLID, Inc.
1900 S. Des Plaines Ave.
Forest Park, IL 60130 USA
Phone: (708) 427-3555
Fax: (708) 427-3556
www.bodysolid.com

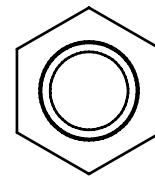
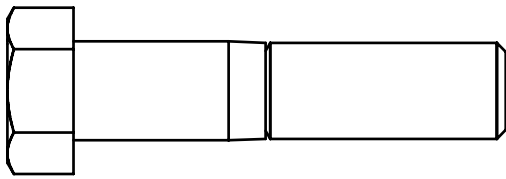
DPLS OWNER'S MANUAL

DPLS ASSEMBLY INSTRUCTIONS

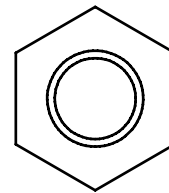
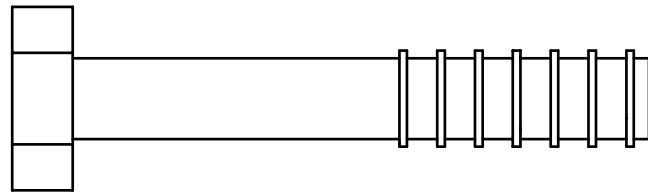
HARDWARE ILLUSTRATION



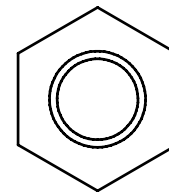
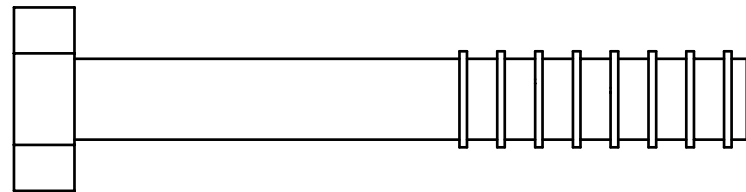
(A1)HEX BOLT 1/2"x1 1/4"L PARTIAL THREAD QTY.2



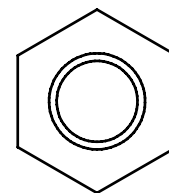
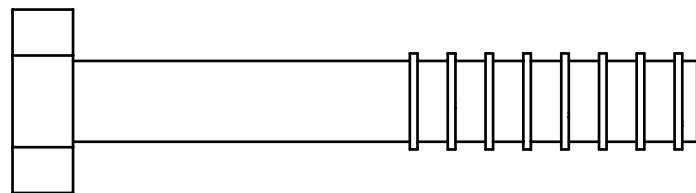
(A2)HEX BOLT 1/2"x2 1/4"L PARTIAL THREAD QTY.4



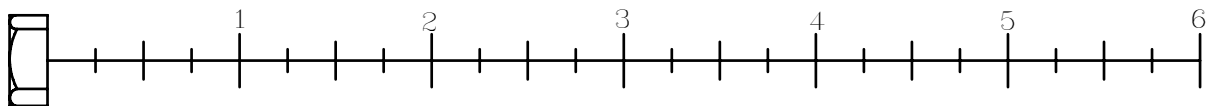
(A3)HEX BOLT 1/2"x3"L PARTIAL THREAD QTY.1



(A4)HEX BOLT 1/2"x3 1/2"L PARTIAL THREAD QTY.2

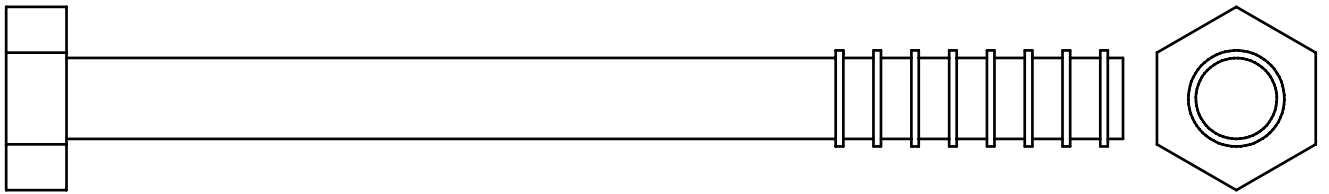


(A5)HEX BOLT 1/2"x3 1/4"L PARTIAL THREAD QTY.3

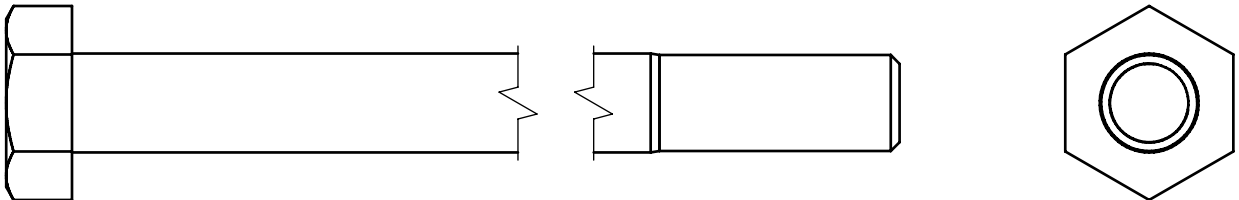


DPLS ASSEMBLY INSTRUCTIONS

HARDWARE ILLUSTRATION



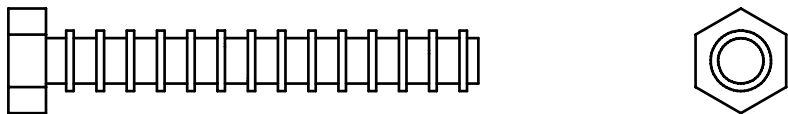
(A6)HEX BOLT 1/2"x5 1/2"L PARTIAL THREAD QTY.2



(A7)HEX BOLT 1/2"x6"L PARTIAL THREAD QTY.1

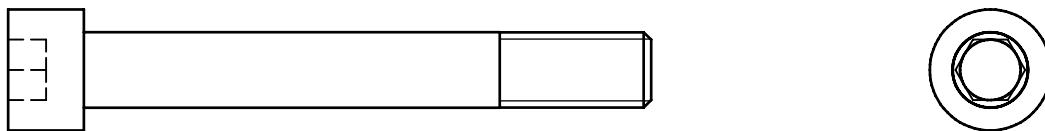


(A8)HEX BOLT 5/16"x1"L PARTIAL THREAD QTY.4

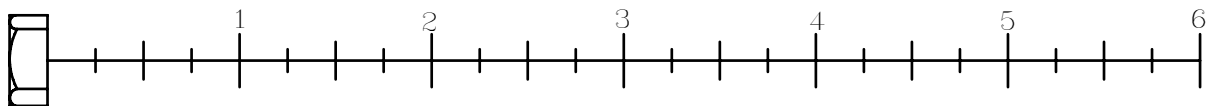


(A9)HEX BOLT 5/16"x2 1/4"L PARTIAL THREAD QTY.2

HARDWARE ILLUSTRATION CONNECT DGYM



(A10)ROUND ALLEN HEAD M10X75L PARTIAL THREAD QTY.2

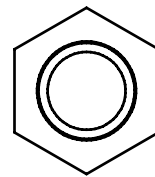
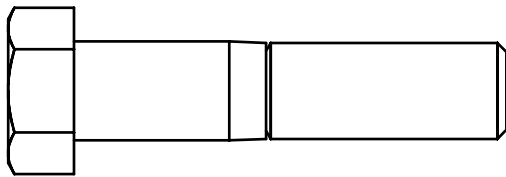


DPLS ASSEMBLY INSTRUCTIONS

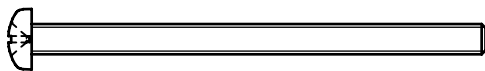
FRAME HARDWARE ILLUSTRATION



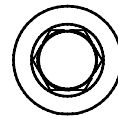
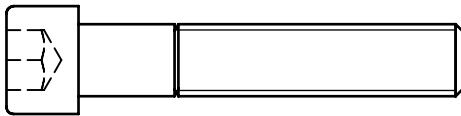
(A11) ALLEN SCREW 5/16" X 3/8" L FULL THREAD QTY. 3



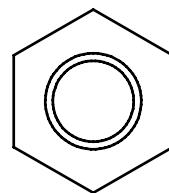
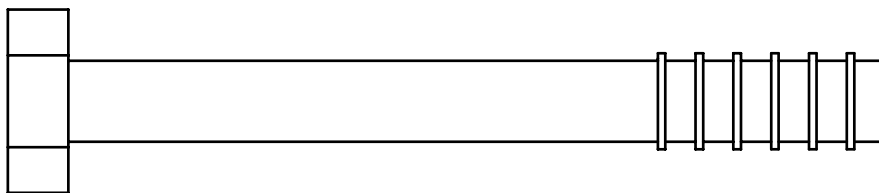
(A12) HEX BOLT 1/2" X 2 1/4" L PARTIAL THREAD QTY. 1



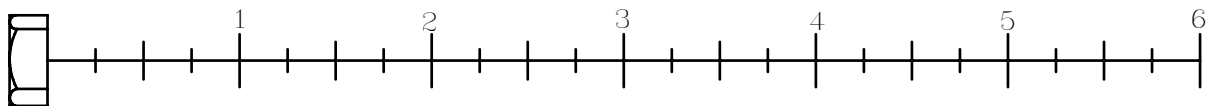
(A13) HEX BOLT M4 X 65 L" L PARTIAL THREAD QTY. 2



(A14) ROUND ALLEN HEAD 3/8" X 2" L PARTIAL THREAD QTY. 1

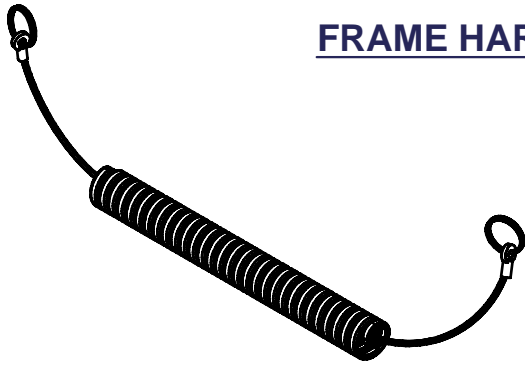


(A15) HEX BOLT 1/2" X 4 1/4" L PARTIAL THREAD QTY. 1

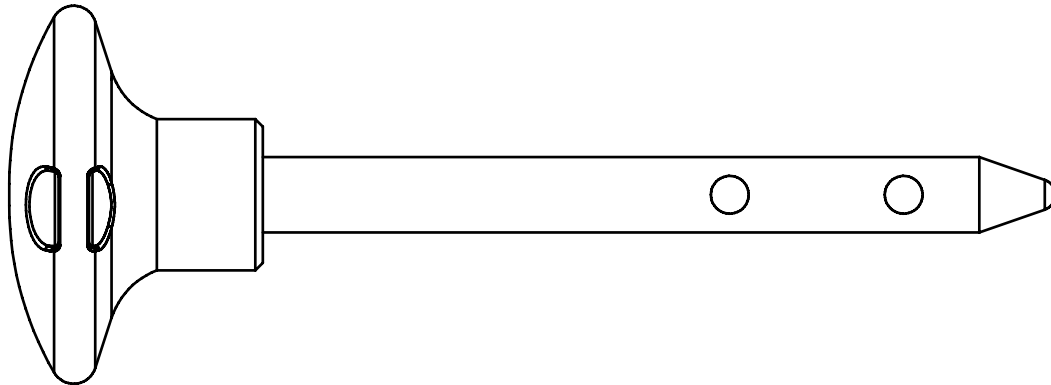


DPLS ASSEMBLY INSTRUCTIONS

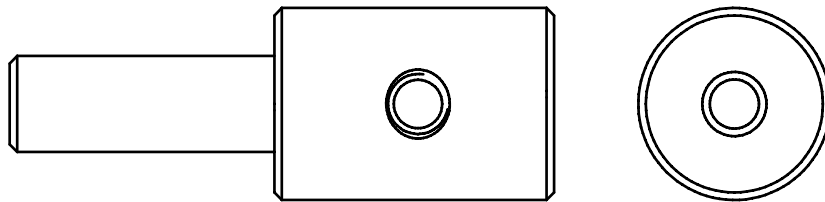
FRAME HARDWARE ILLUSTRATION



(A16)ELASTIC BOLT QTY.1



(A17)10LB PIN (8250-071) QTY.1



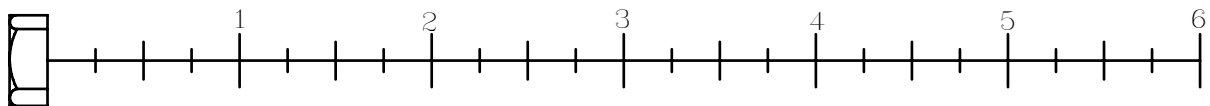
(A18)WEIGHT STACK CABLE (8260-009) QTY.1



(A19)ROUND ALLEN HEAD M6X20L PARTIAL THREAD QTY.24

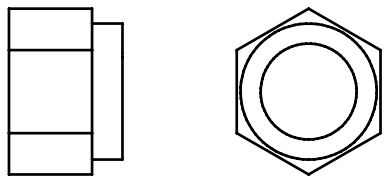


(A20)ROUND ALLEN HEAD 5/32"X1/4"L PARTIAL THREAD QTY.4

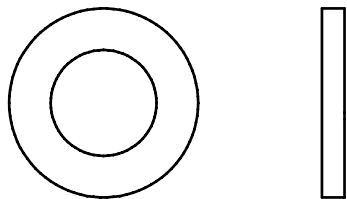


DPLS ASSEMBLY INSTRUCTIONS

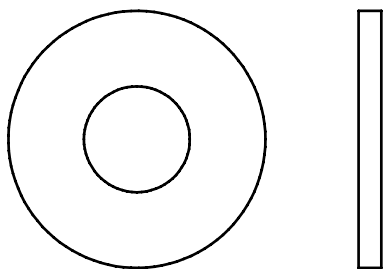
HARDWARE ILLUSTRATION



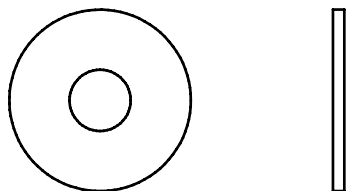
(B1) NYLON LOCK NUT 1/2" QTY. 17



(C1) 1/2" (I.D.) FLAT WASHER Ø25 QTY. 2



(C2) 1/2" (I.D.) FLAT WASHER Ø34 QTY. 32

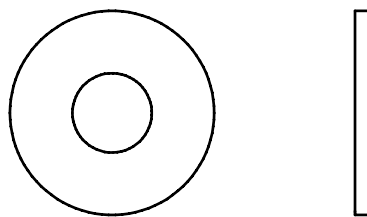


(C3) 5/16" (I.D.) FLAT WASHER Ø24 QTY. 6

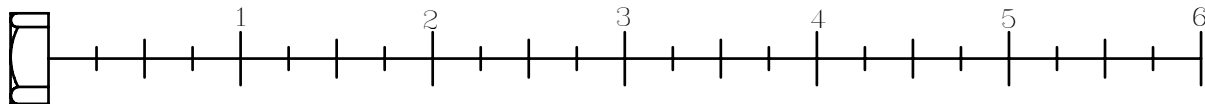


(C4) 5/16" SPRING WASHER QTY. 6

HARDWARE ILLUSTRATION CONNECT DGYM

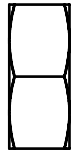
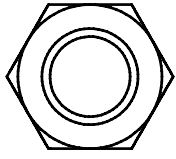


(C5) M10 (I.D.) FLAT WASHER Ø27 QTY. 2

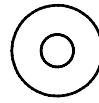


DPLS ASSEMBLY INSTRUCTIONS

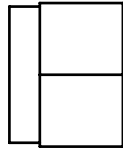
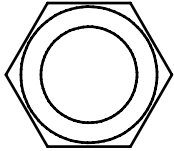
FRAME HARDWARE ILLUSTRATION



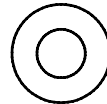
(B2) NYLON LOCK NUT 1/2" X 13 UNC X 8 T QTY. 1



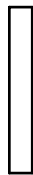
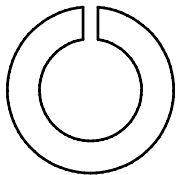
(C9) M4 (I.D.) FLAT WASHER Ø12 QTY. 2



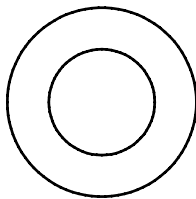
(B3) NYLON LOCK NUT 1/2" QTY. 1



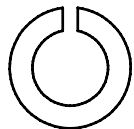
(C10) M6 (I.D.) FLAT WASHER Ø13 QTY. 24



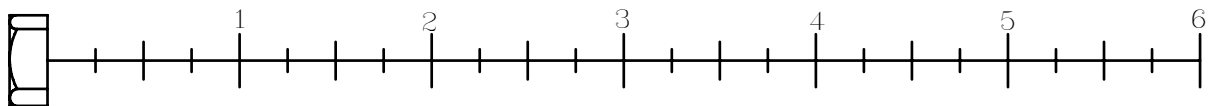
(C6) 1/2" SPRING WASHER QTY. 1



(C7) 1/2" (I.D.) FLAT WASHER Ø25 QTY. 2



(C8) 3/8" SPRING WASHER QTY. 1



DPLS ASSEMBLY INSTRUCTIONS

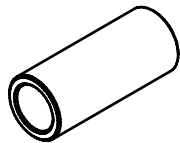
HARDWARE ILLUSTRATION

D1.Ø3/4"X16L STEEL BUSHING (8110-066)	[6PCS]
D2.Ø3/4"X45L STEEL BUSHING (8110-067)	[6PCS]
D3.Ø8 SPRING SNAP LINK(8810-001)	[1PCS]
D5. 25x50 End Cap (9211-086)	[2PCS]
D6.50X100(40X80)NYLON BUSHING(9211-107)	[2PCS]
D7.58X116X2.5T FOOT CAP(9211-108)	[2PCS]
D8.58X116 END CAP(9211-112)	[2PCS]
D9.40X80 END CAP(9211-113)	[5PCS]
D10. Ø1"x2.5t Round End Cap(9260-021)	[2PCS]
D11.Ø3/4" SHAFT COLLAR(9211-046)	[2PCS]
D12.Ø65XØ20X70L RUBBER DOUNT(9310-049)	[2PCS]
D13.95X250 RUBBER PAD(9310-060)	[3PCS]
D14.Ø117 PULLEY(9213-010B)	[11PCS]
D15.TOP PLATE(8400-006)	[1PCS]
D16.WEIGHT SELECTOR BAR(8210-042)	[1PCS]

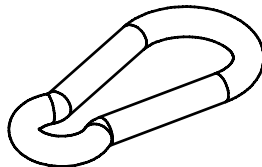
D1



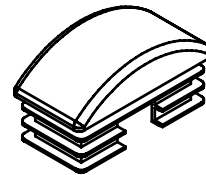
D2



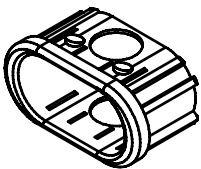
D3



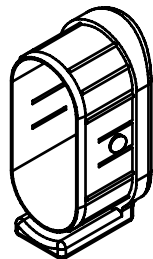
D5



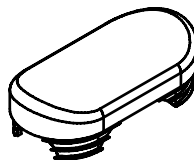
D6



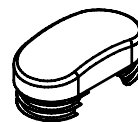
D7



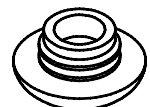
D8



D9



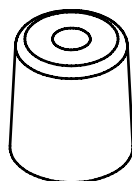
D10



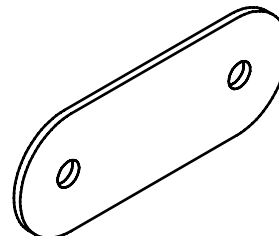
D11



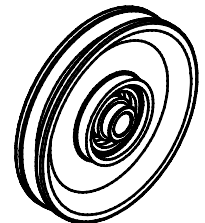
D12



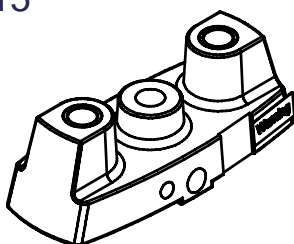
D13



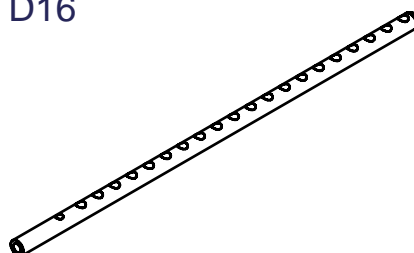
D14



D15



D16

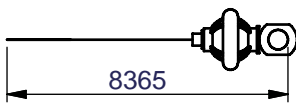


DPLS ASSEMBLY INSTRUCTIONS

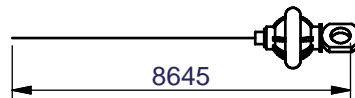
HARDWARE ILLUSTRATION

- D17.8365mm STEEL CABLE(FDPLSA)-----[1PCS]
D18.DPLS For DGYM Steel Cable 8645mm(FDPLSB)-----[1PCS]
D19.Ø1" SHAFT COLLAT(8130-024)-----[2PCS]
D20. 3" Nylon Washer (9214-008)-----[2PCS]
D21.Ø1" END CAP(9211-016)-----[2PCS]

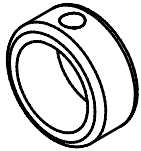
D17



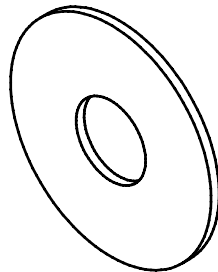
D18



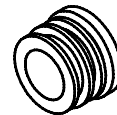
D19



D20



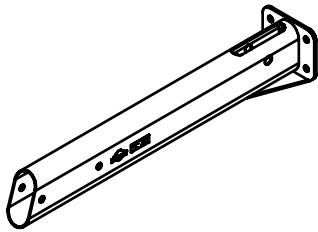
D21



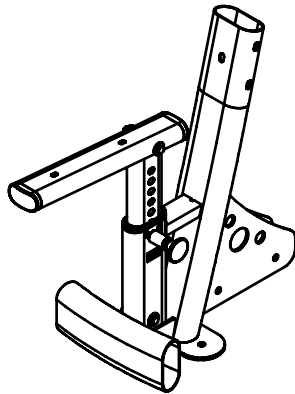
DPLS ASSEMBLY INSTRUCTIONS

PARTS ILLUSTRATION SHEET

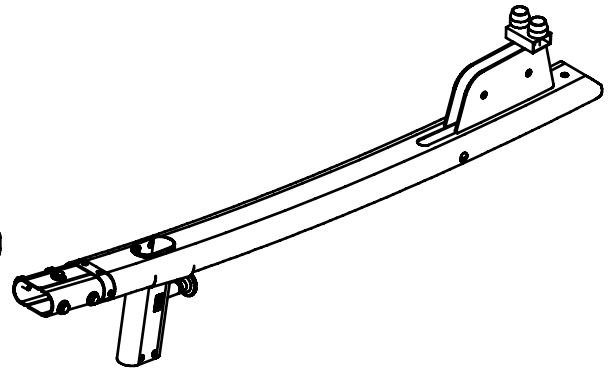
A[1PCS]



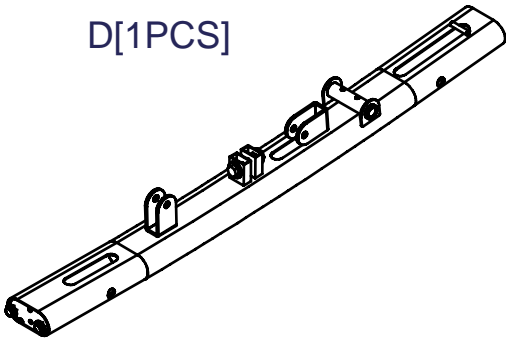
B[1PCS]



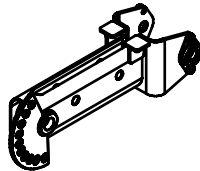
C[1PCS]



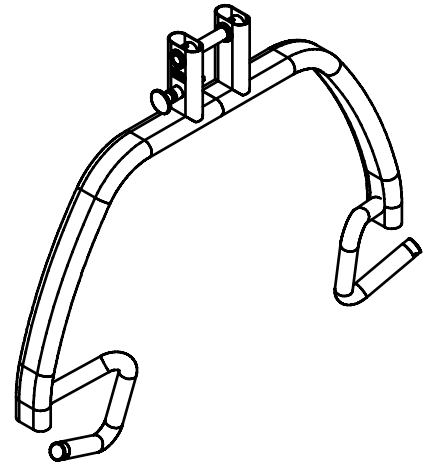
D[1PCS]



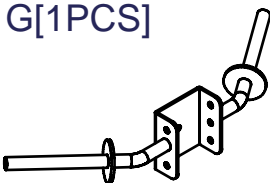
E[1PCS]



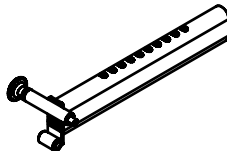
F[1PCS]



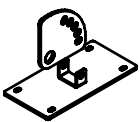
G[1PCS]



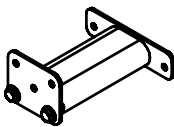
I[1PCS]



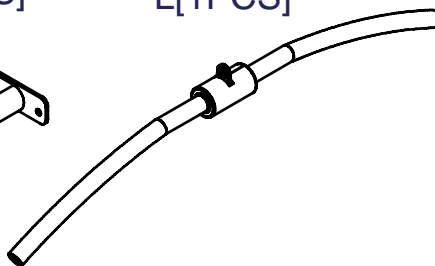
J[1PCS]



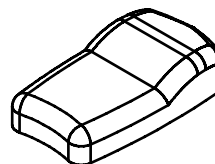
K[1PCS]



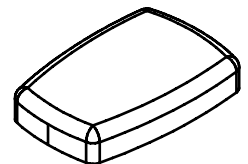
L[1PCS]



M[1PCS]
9111-058



N[1PCS]
9121-057



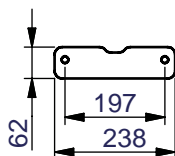
O[2PCS]
9161-032



P[1PCS]
8220-137
Ø20X160L



Q[1PCS]
8313-130



R[1PCS]
8343-146



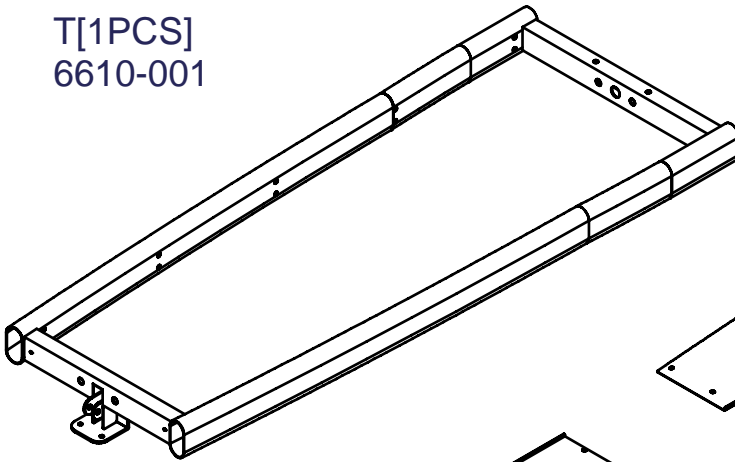
S[1PCS]
8343-147



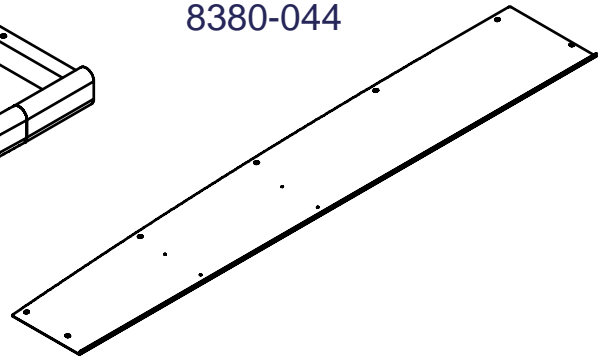
DPLS ASSEMBLY INSTRUCTIONS

FRAME PARTS ILLUSTRATION SHEET

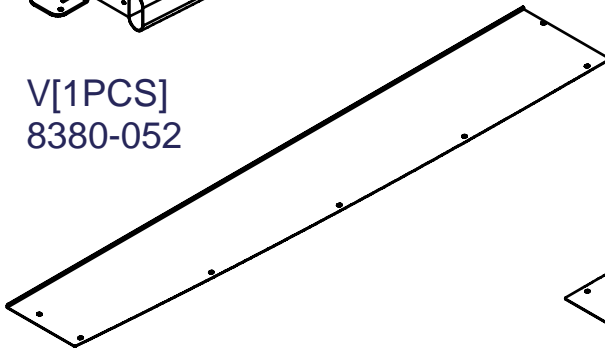
T[1PCS]
6610-001



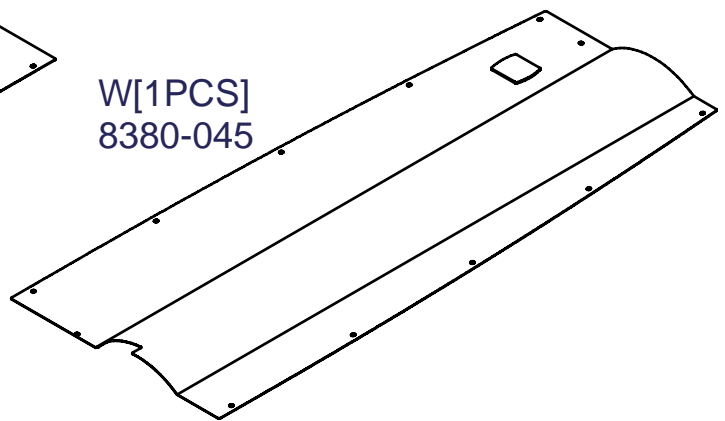
U[1PCS]
8380-044



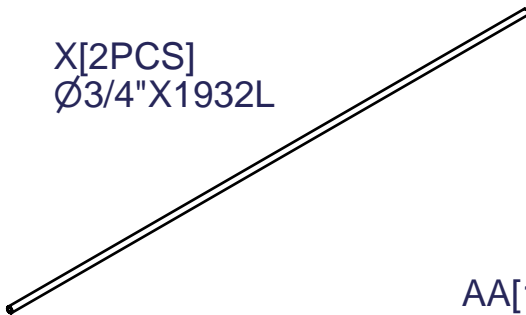
V[1PCS]
8380-052



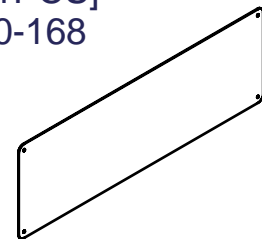
W[1PCS]
8380-045



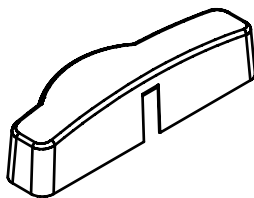
X[2PCS]
Ø3/4"X1932L



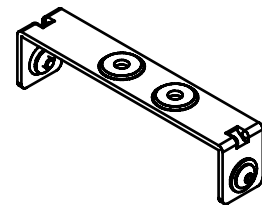
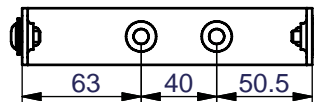
AC[1PCS]
9440-168



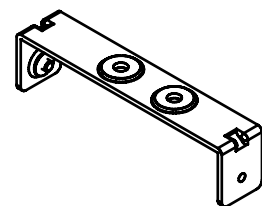
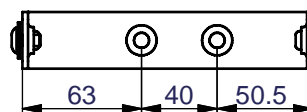
Y[1PCS]
9211-119



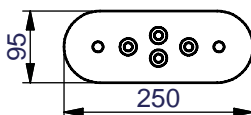
AA[12PCS]
8321-040
both side



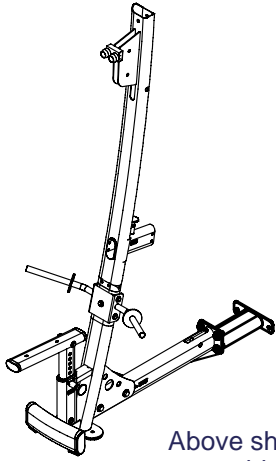
AB[2PCS]
8321-040
one side



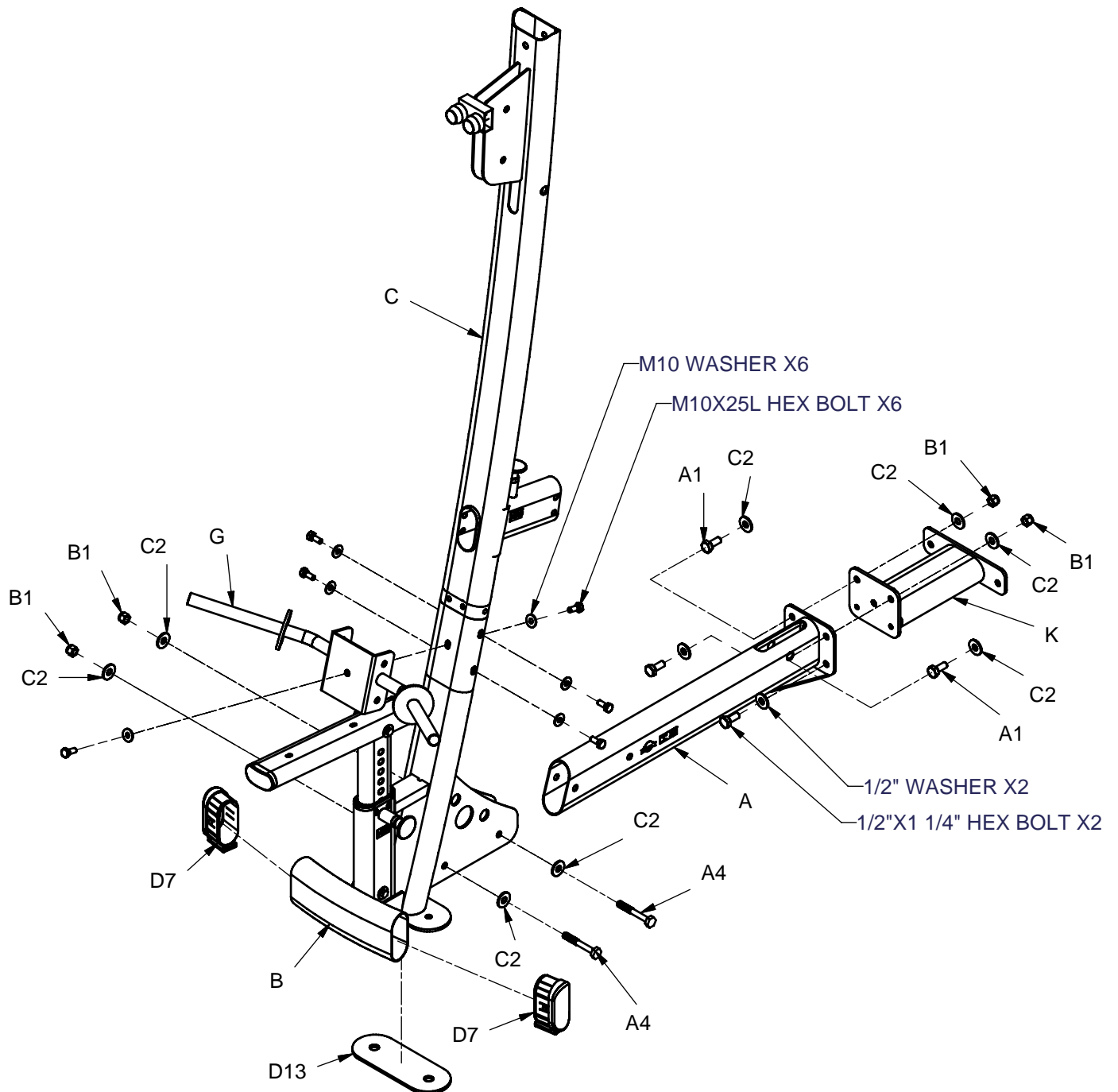
Z[2PCS]
8313-144



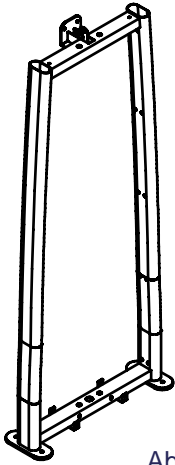
DPLS ASSEMBLY INSTRUCTIONS



Above shows STEP 1 assembled and completed

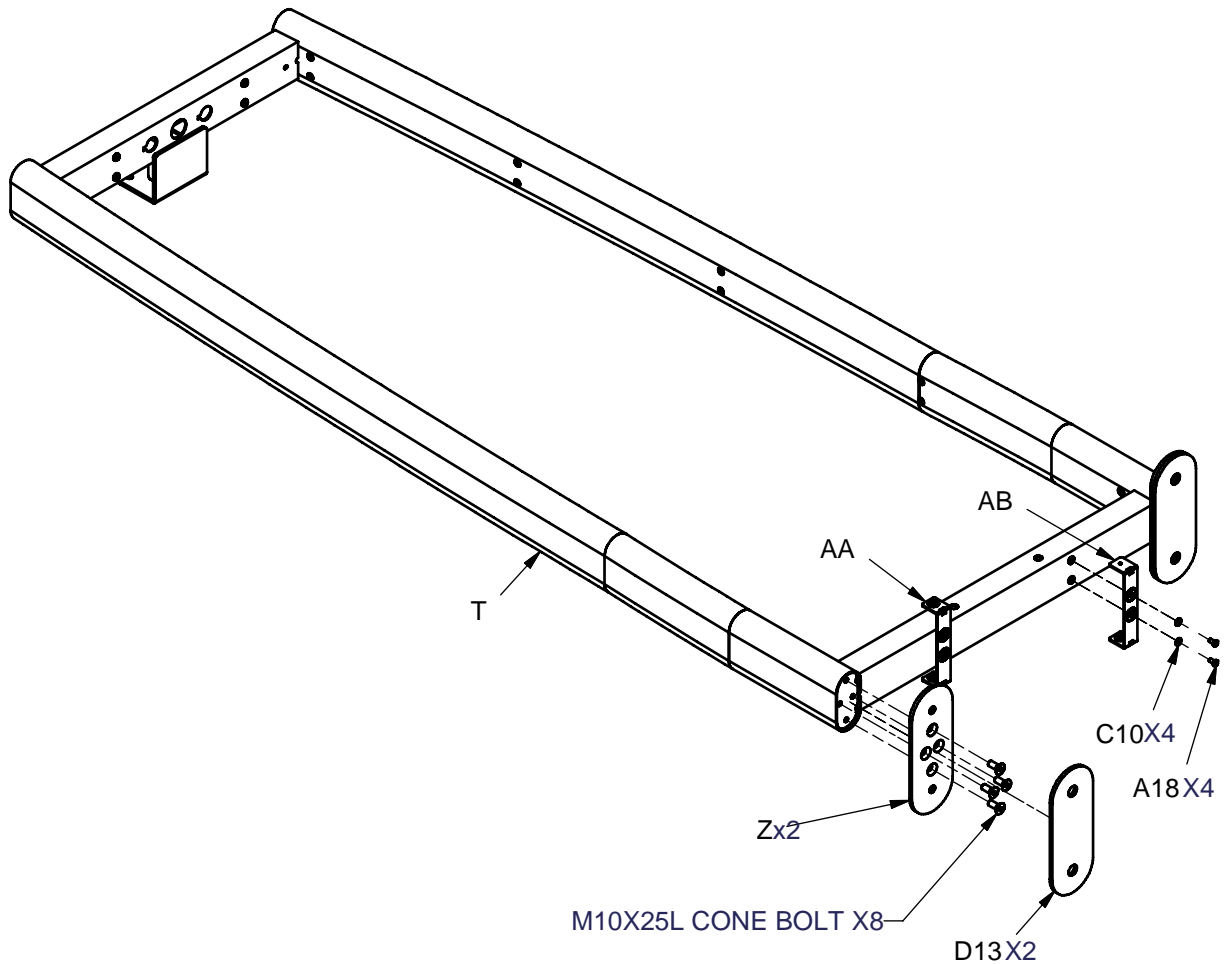


DPLS ASSEMBLY INSTRUCTIONS

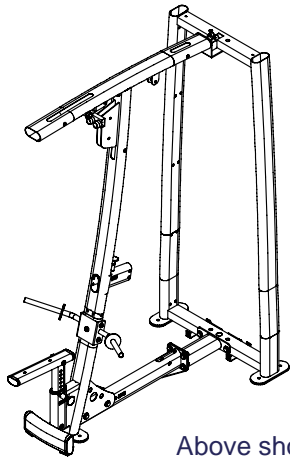


Above shows STEP 2
assembled and completed

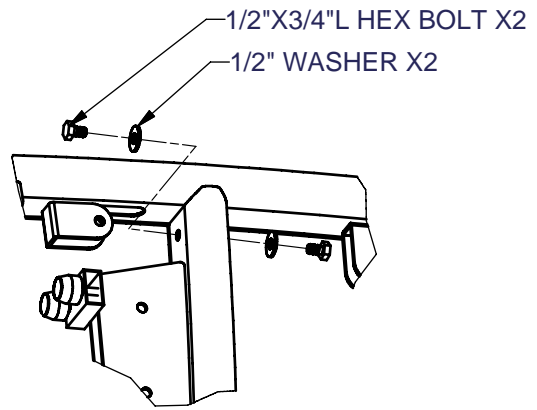
DPLS single weight stack assembly instructions



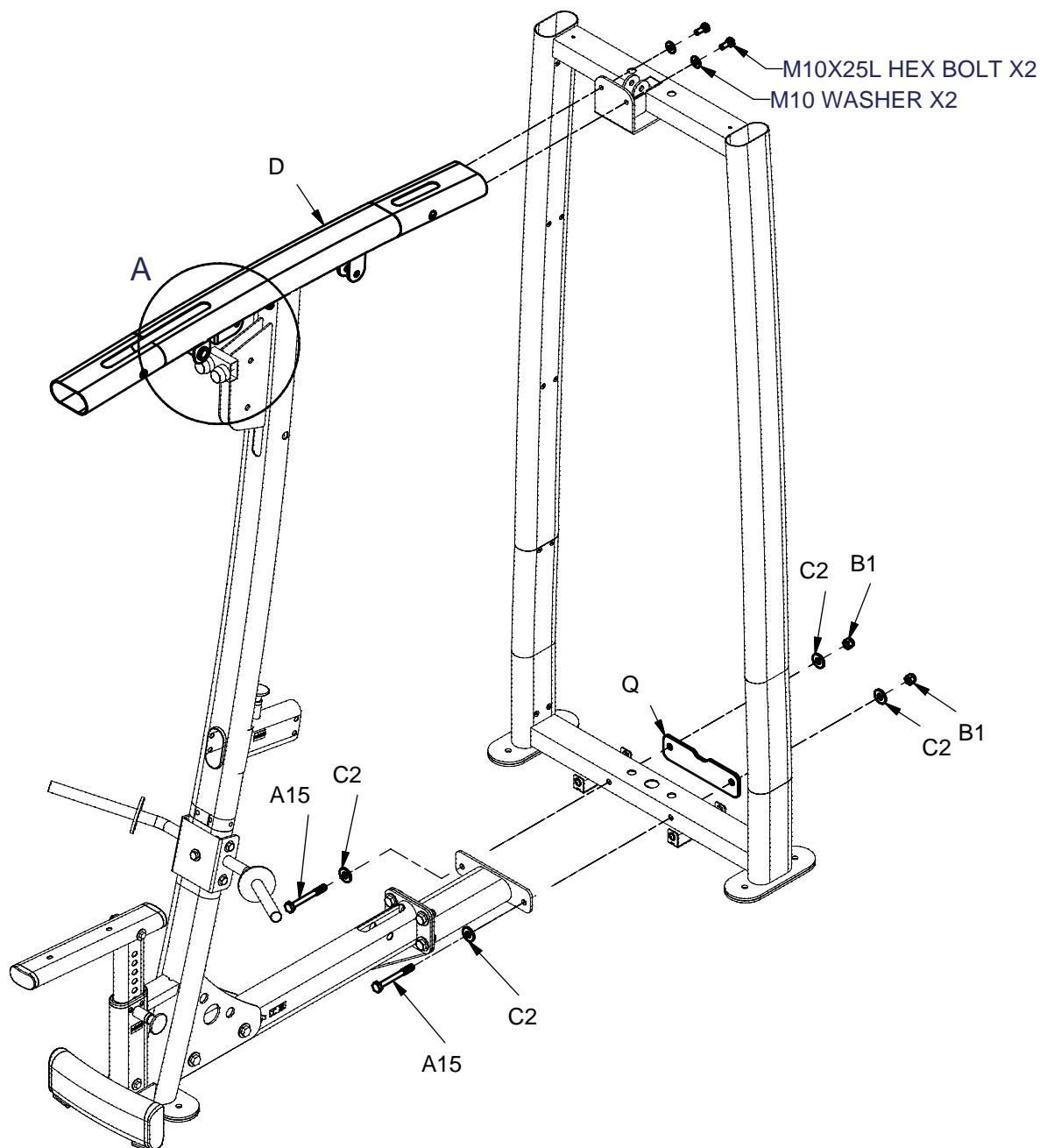
DPLS ASSEMBLY INSTRUCTIONS



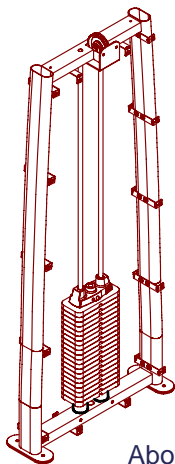
Above shows STEP 3 assembled and completed



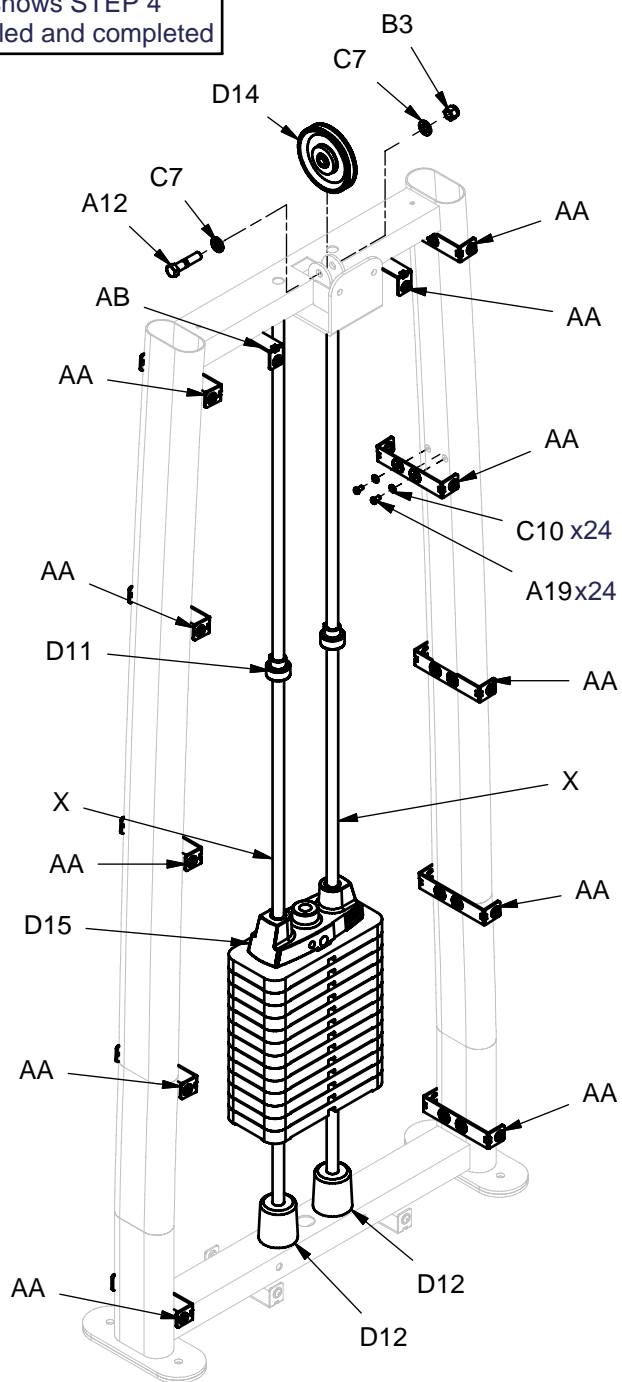
輔助視圖A



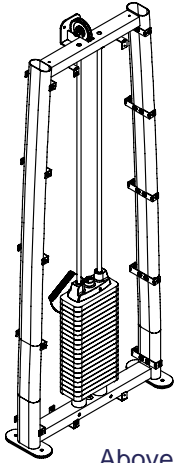
DPLS ASSEMBLY INSTRUCTIONS



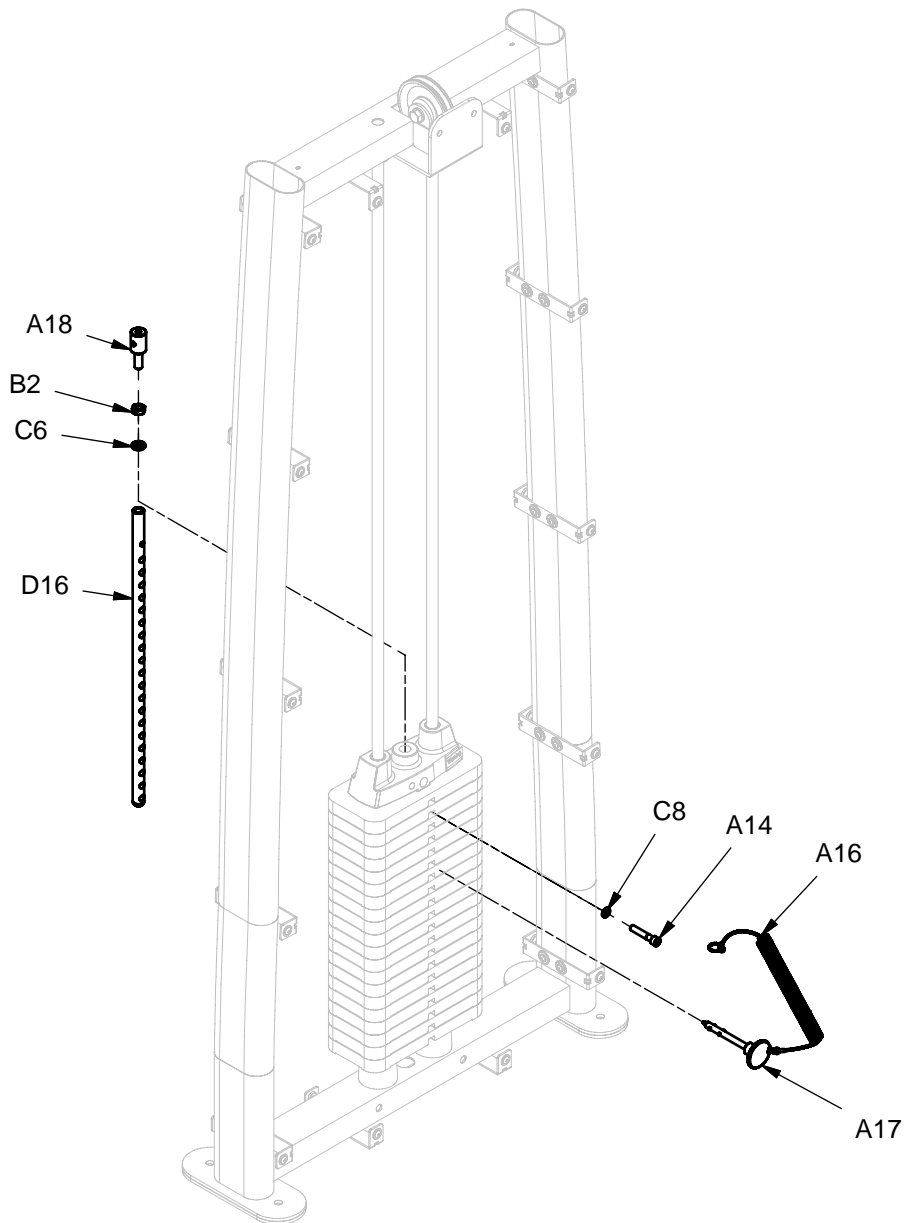
Above shows STEP 4 assembled and completed



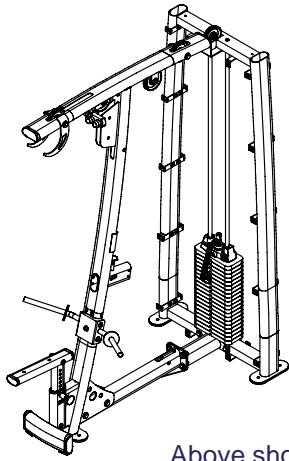
DPLS ASSEMBLY INSTRUCTIONS



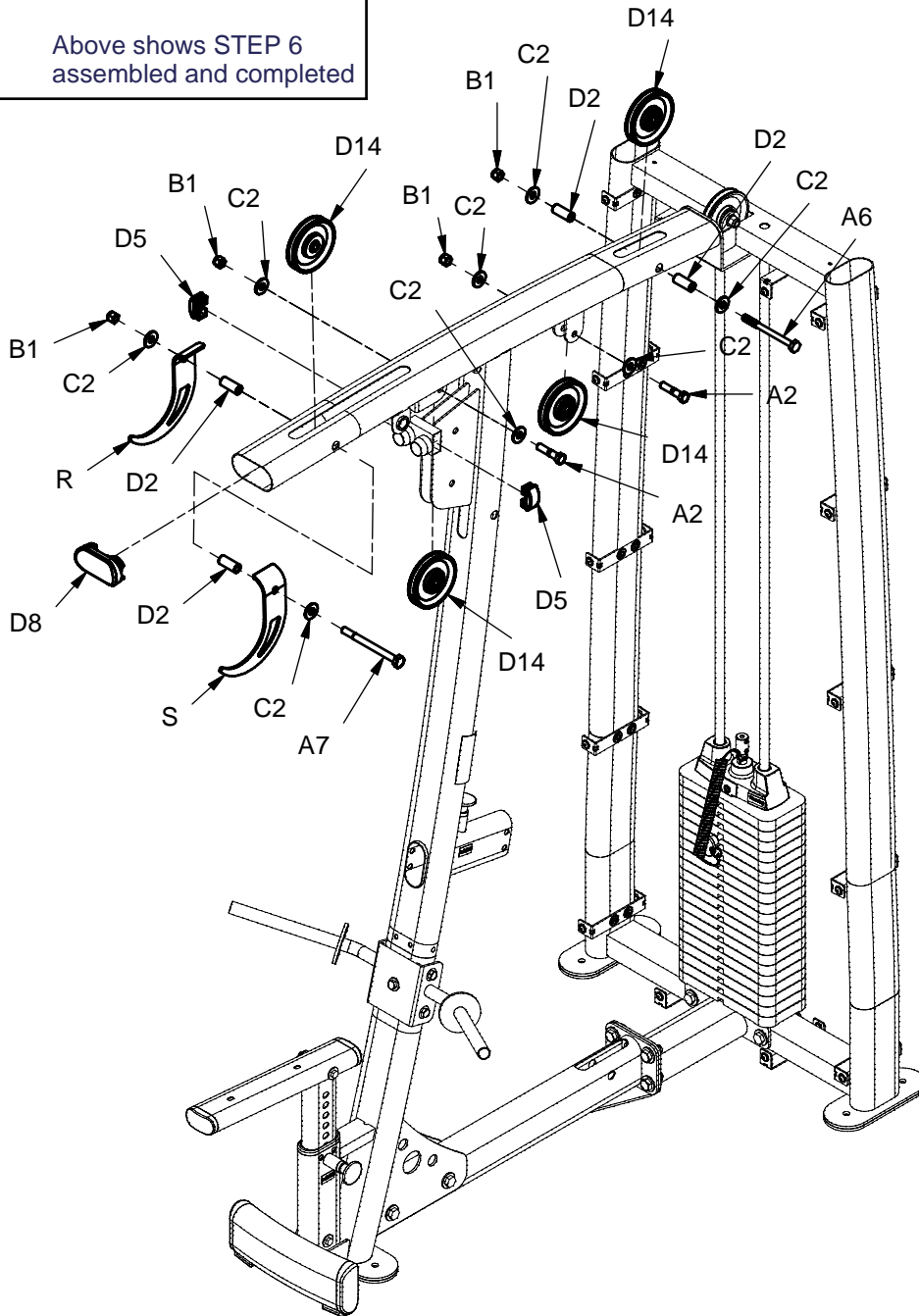
Above shows STEP 5
assembled and completed



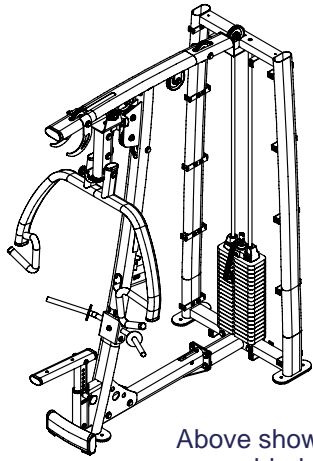
DPLS ASSEMBLY INSTRUCTIONS



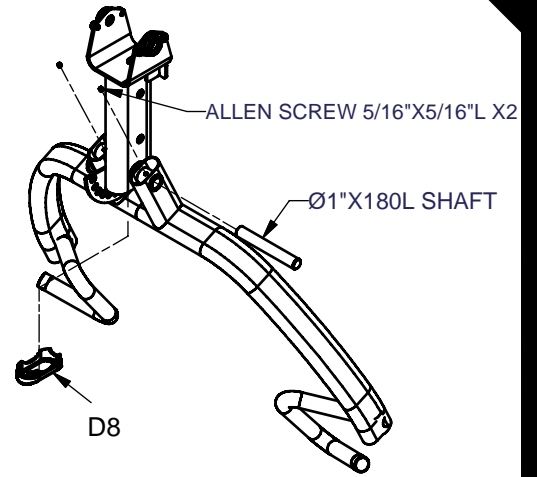
Above shows STEP 6 assembled and completed



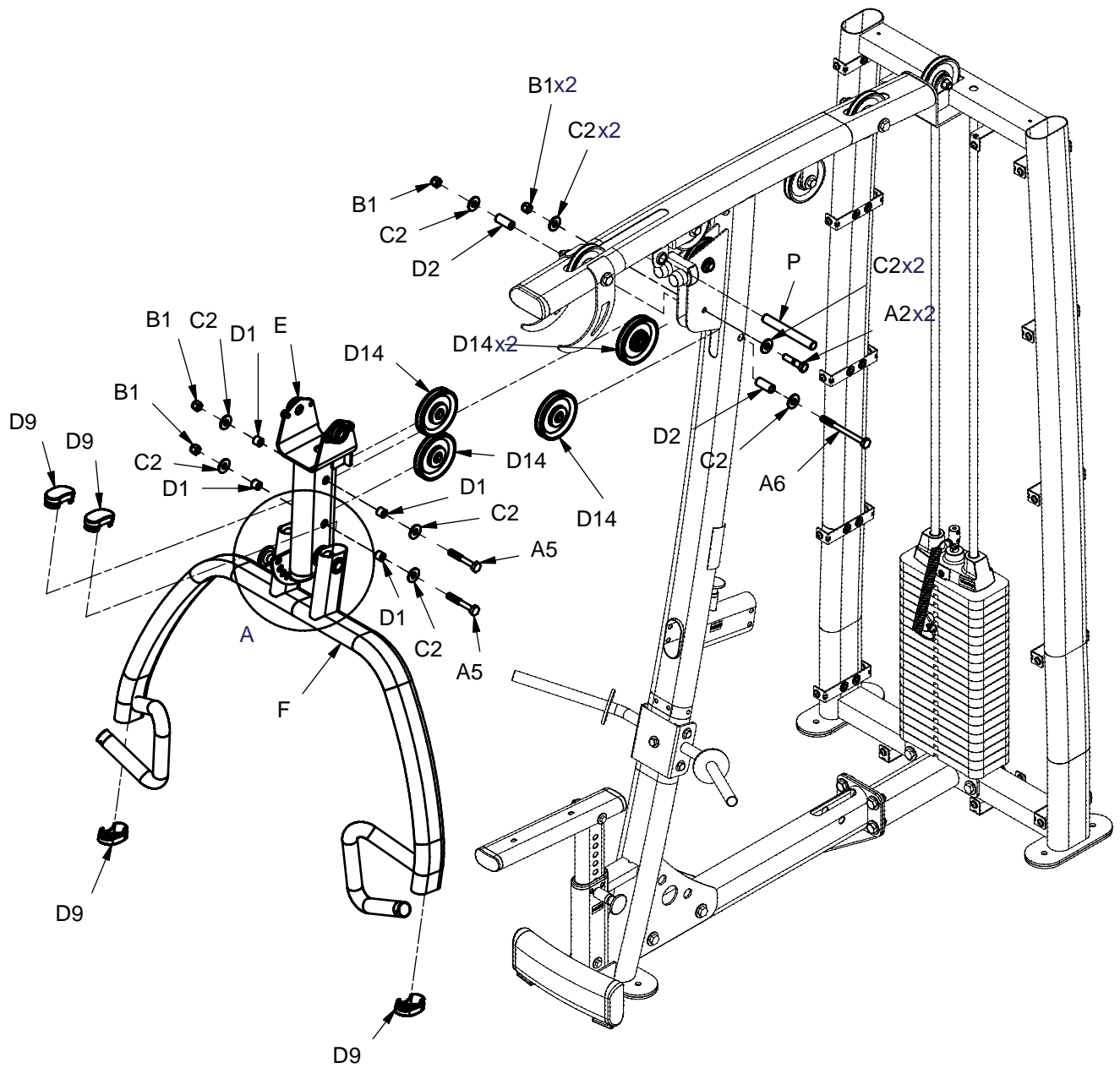
DPLS ASSEMBLY INSTRUCTIONS



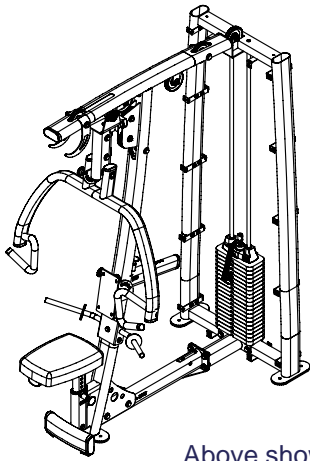
Above shows STEP 7 assembled and completed



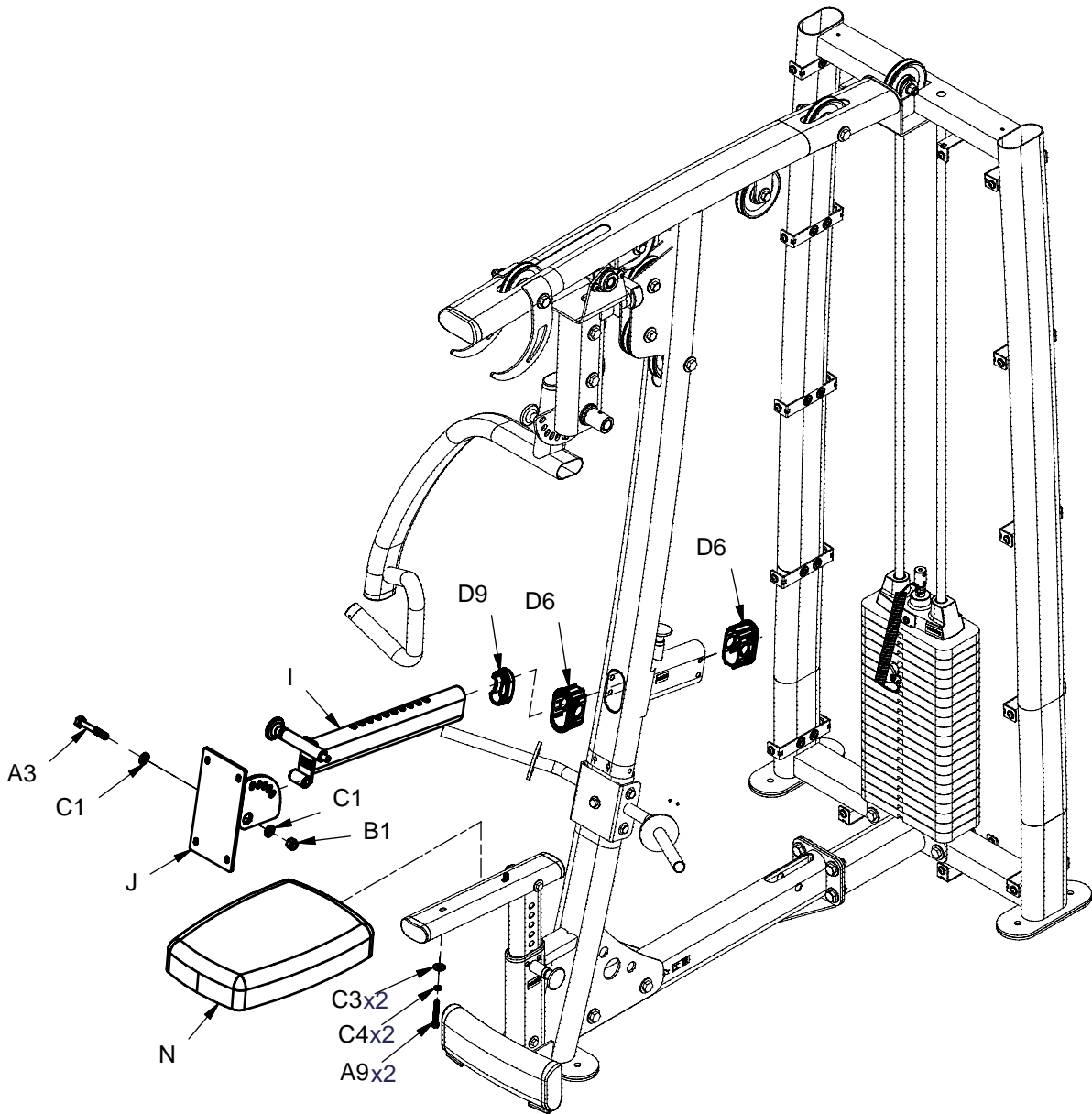
DETAIL VIEW



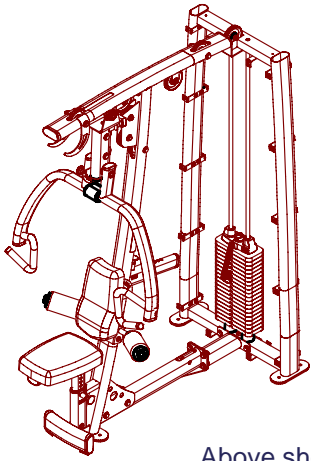
DPLS ASSEMBLY INSTRUCTIONS



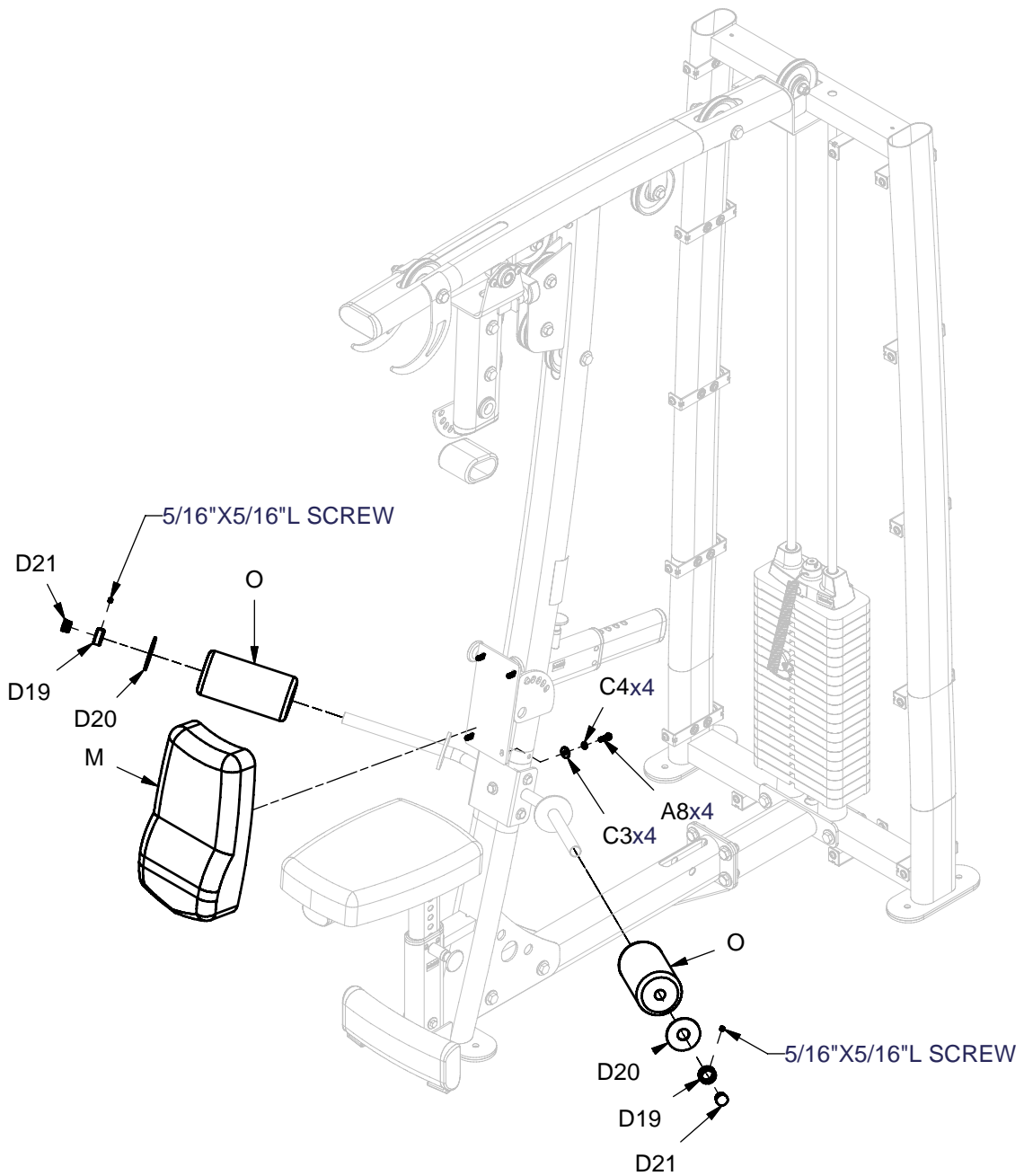
Above shows STEP 8
assembled and completed



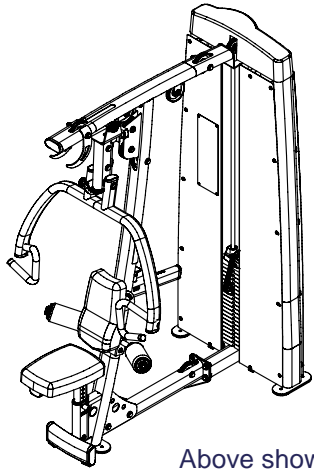
DPLS ASSEMBLY INSTRUCTIONS



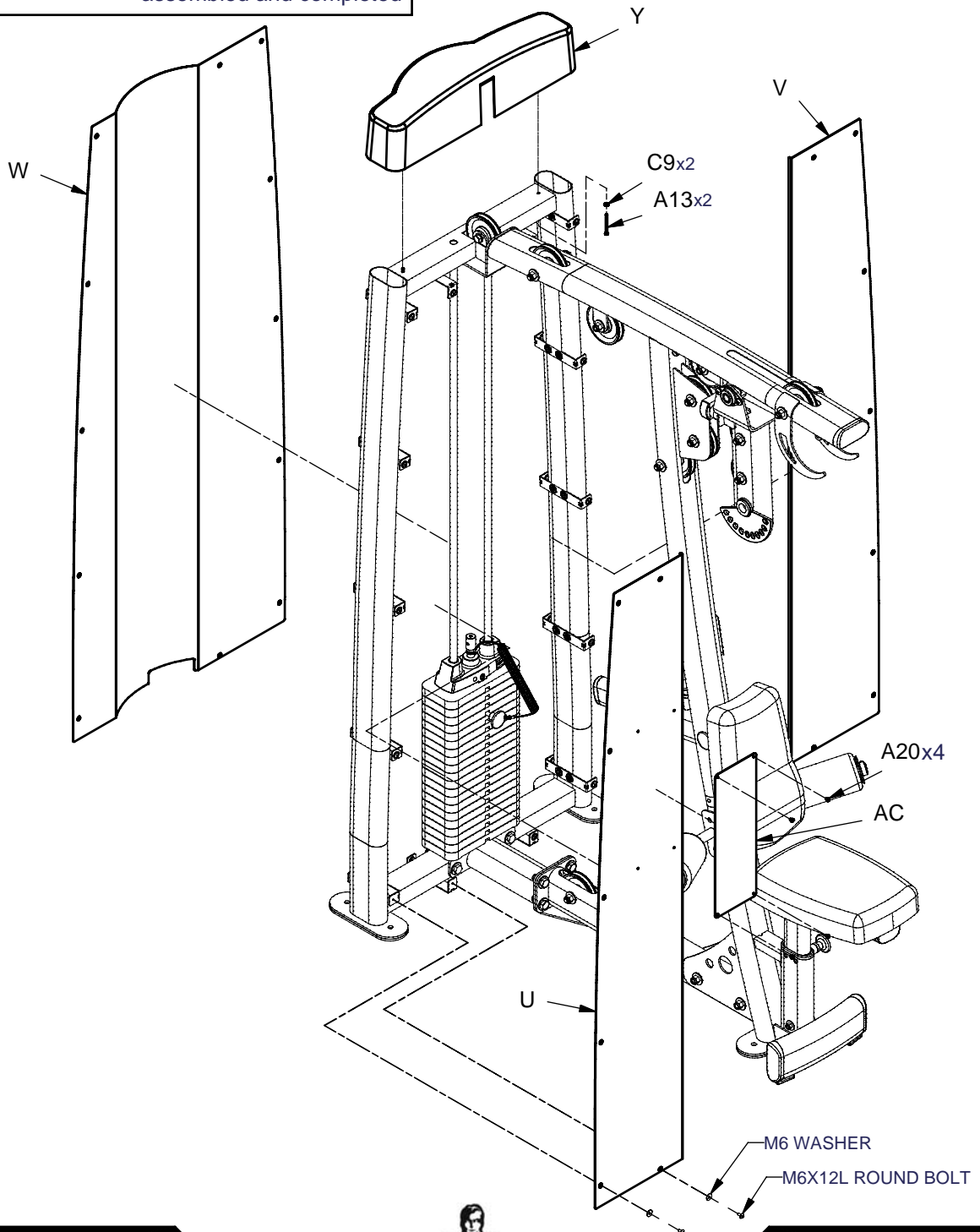
Above shows STEP 9
assembled and completed



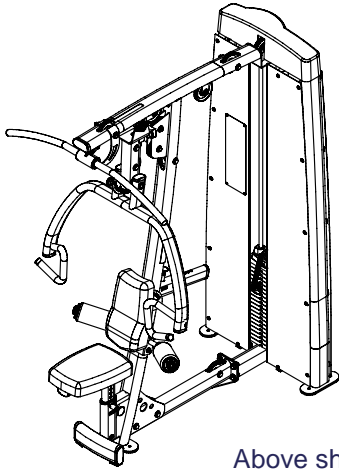
DPLS ASSEMBLY INSTRUCTIONS



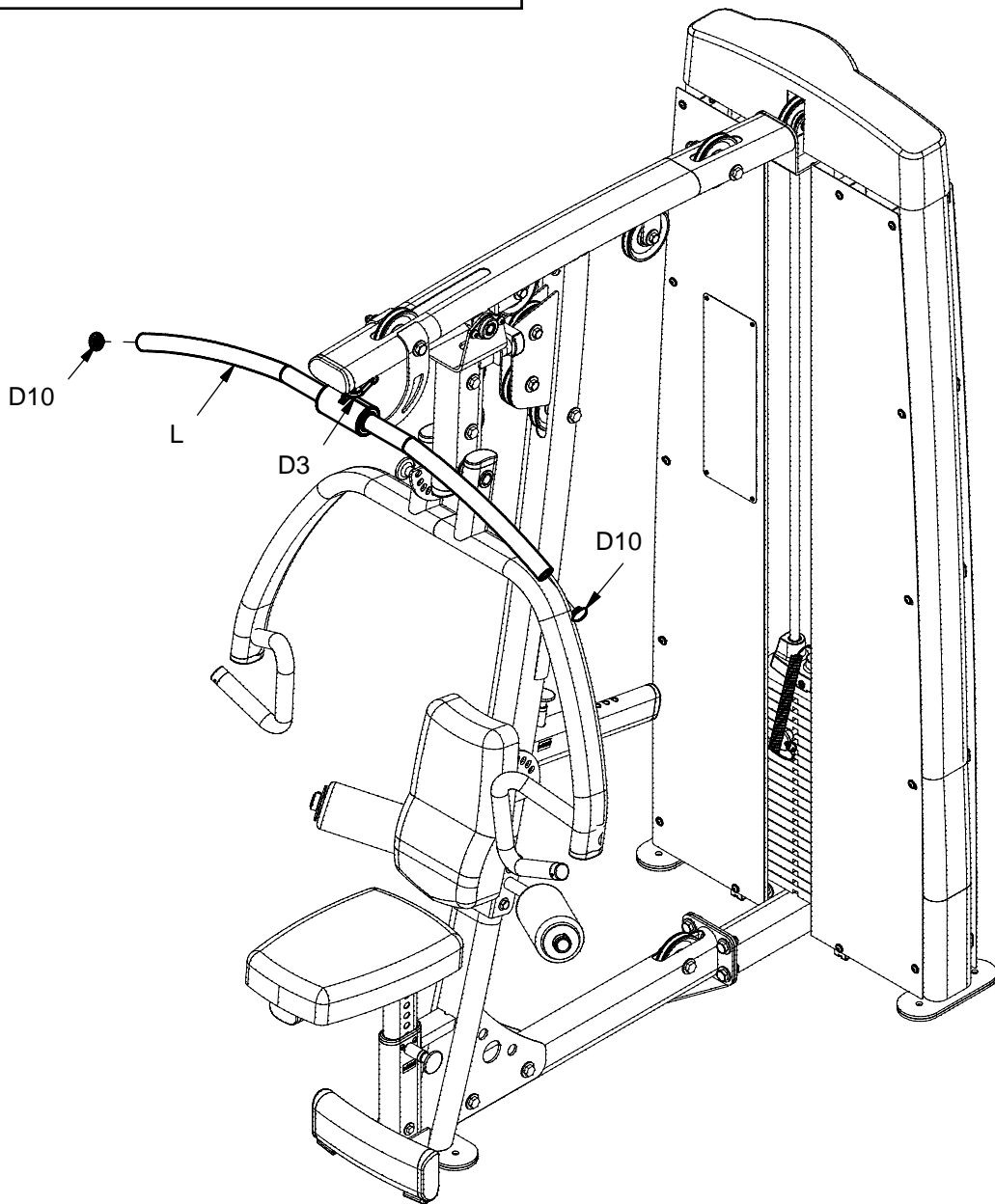
Above shows STEP 10
assembled and completed



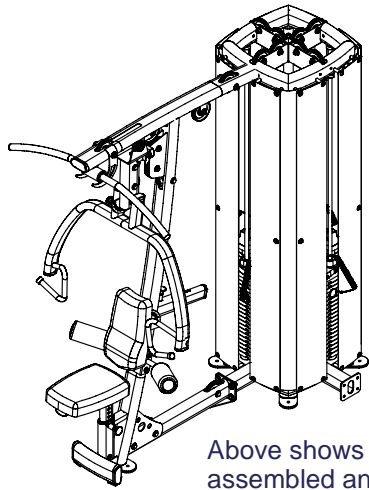
DPLS ASSEMBLY INSTRUCTIONS



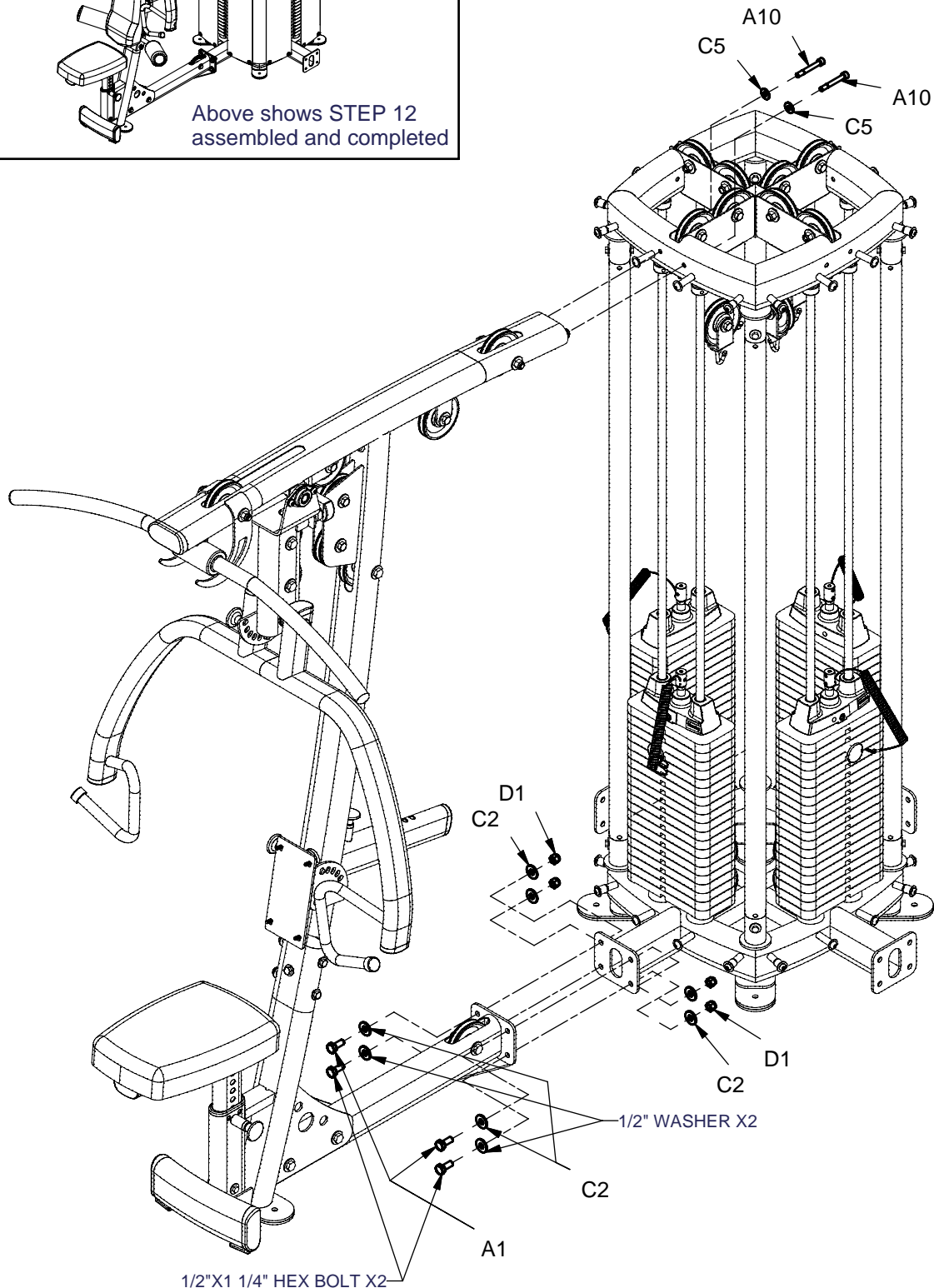
Above shows STEP 11
assembled and completed



DPLS ASSEMBLY INSTRUCTIONS

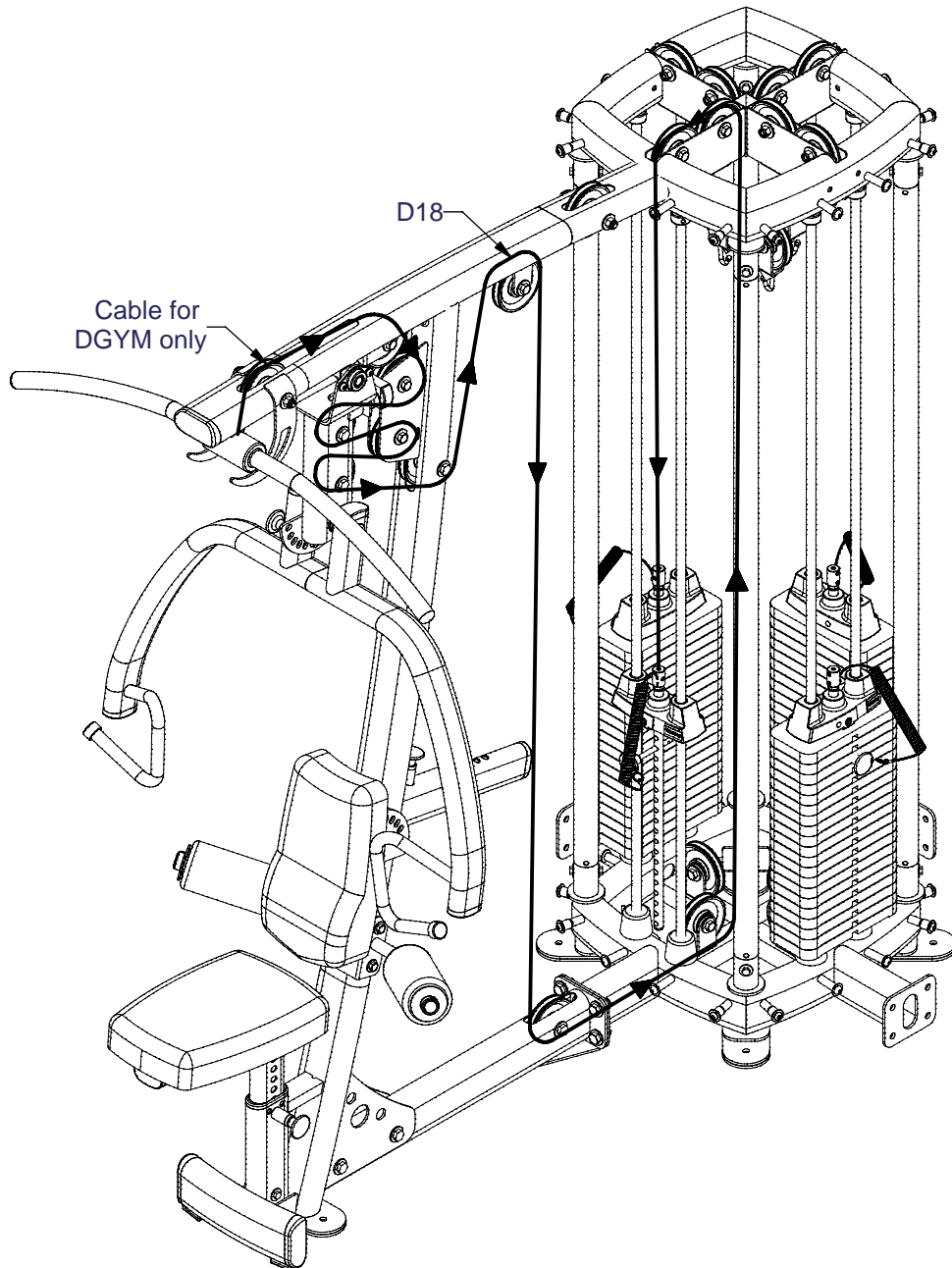


Above shows STEP 12 assembled and completed

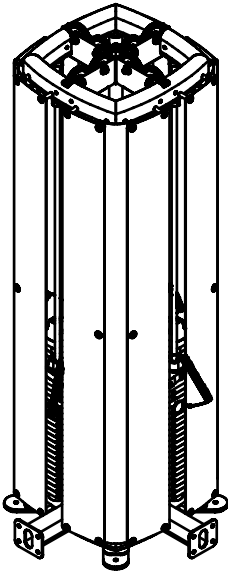
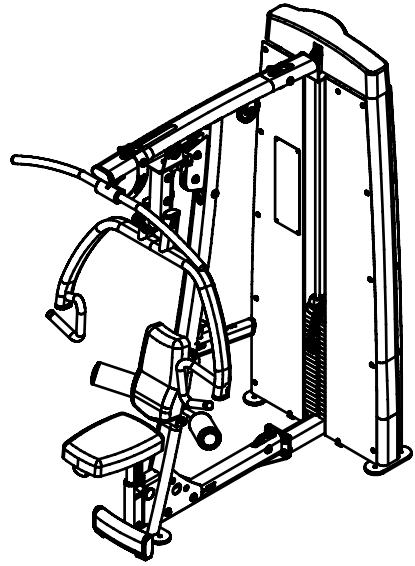
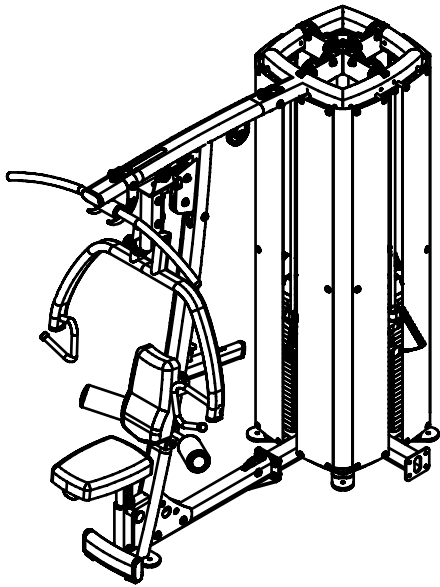


DPLS ASSEMBLY INSTRUCTIONS

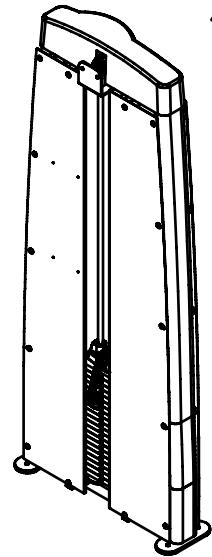
Cable to match illustration



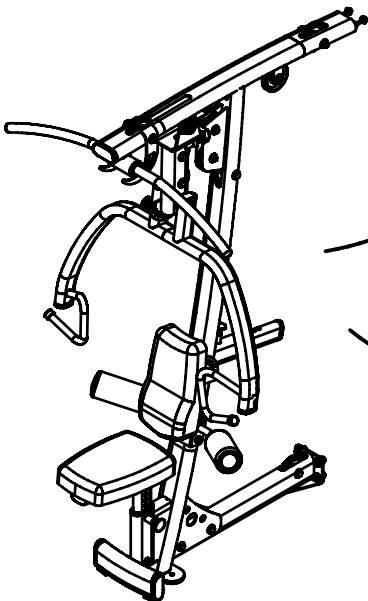
DPLS ASSEMBLY INSTRUCTIONS



DGYM



DFC



[k]

